

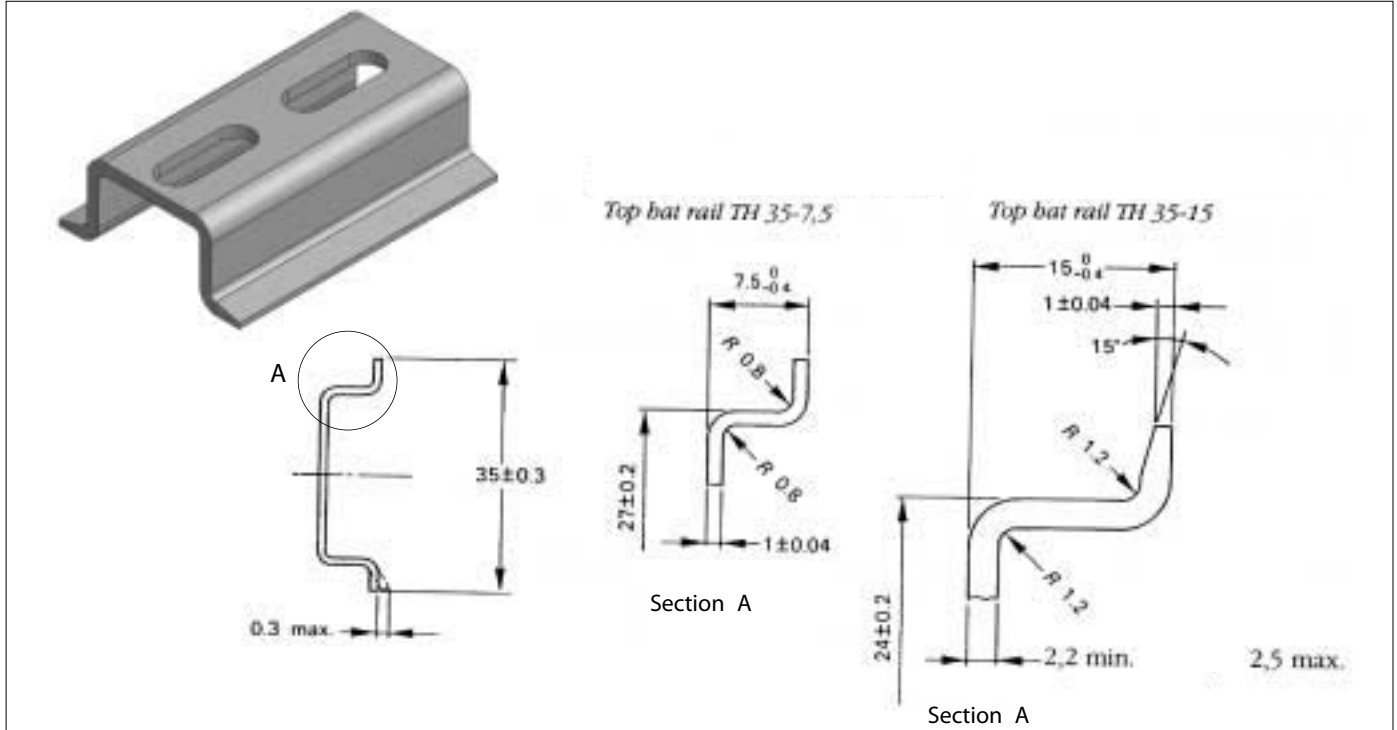
# DIN RAIL SUPPORT

## General features

Standard EN 60715

Material self-extinguishing PA

self-extinguishing PVC



FEATURES		TEST METHOD	UNITS	PA 6.6
Mechanical test	Tensile Stress at break	ISO 527	MPa	80
	Enlogation at yield	ISO 527	%	6
	Tensile Modulus	ISO 527	MPa	3000
	Stress of flexure at yield	ISO 178	MPa	105
	Flexing modulus	ISO 178	MPa	2800
	Rockwell R hardness	ISO 2039/2	MPa	120
Shock test	Izod test notched +23°C	ISO 180/1A	KJ/m <sup>2</sup>	5
	Izod test notched -20°C	ISO 180/1A	KJ/m <sup>2</sup>	4
	Izod test notched -40°C	ISO 180/1A	KJ/m <sup>2</sup>	3
Thermal test	Vicat softening temperature method B/120	ISO 306	°C	245
	Temp. of deformation with head of 0.45 MPa/B	ISO 75/Be	°C	216
	Temp. of deformation with head of 1.8 MPa/A	ISO 75/Ae	°C	100
	Coefficient of linear thermal expansion	DIN 53752	1/ °C	2E - 04
	Relative temperature Index 20000 h	IEC 216	°C	105
Physical test	Specific gravity	ISO 1183	g/cm <sup>3</sup>	1.25
	Water absorption (23°C/sat.) 1L	DIN 53495	%	6.50
	Mould shrinkage on tensile bar, flow	ASTM D955	%	1.0 - 1.5
Electrical test	Specific volume resistivity	IEC 93	Ohm-m	1E13
	CTI 100 drops value	IEC 112/3rd	V	350
	CTI-M 100 drops value	IEC 112/3rd	V	250
Flame test	Self extinguisher (thickness in mm)	UL 94	-	V0 (0.75)
	Glow wire test, 960°C, passes at	IEC 695-2-1	mm	2.0

FEATURES		TEST METHOD	UNITS	PVC
Mechanical test	Tensile modulus	ISO 178	N/mm <sup>2</sup>	2700
	Resistance to tensile stress at yield	ISO 327	N/mm <sup>2</sup>	43
Shock test	Izod impact strength	ISO 180	J/mm <sup>2</sup>	100
Thermal test	Vicat softening temperature	ISO 306	°C	80
Physical test	Density	ISO 1183	g/cm <sup>3</sup>	1.49
Flame test	Self extinguisher	UL 94	-	V0

# SUPPORT

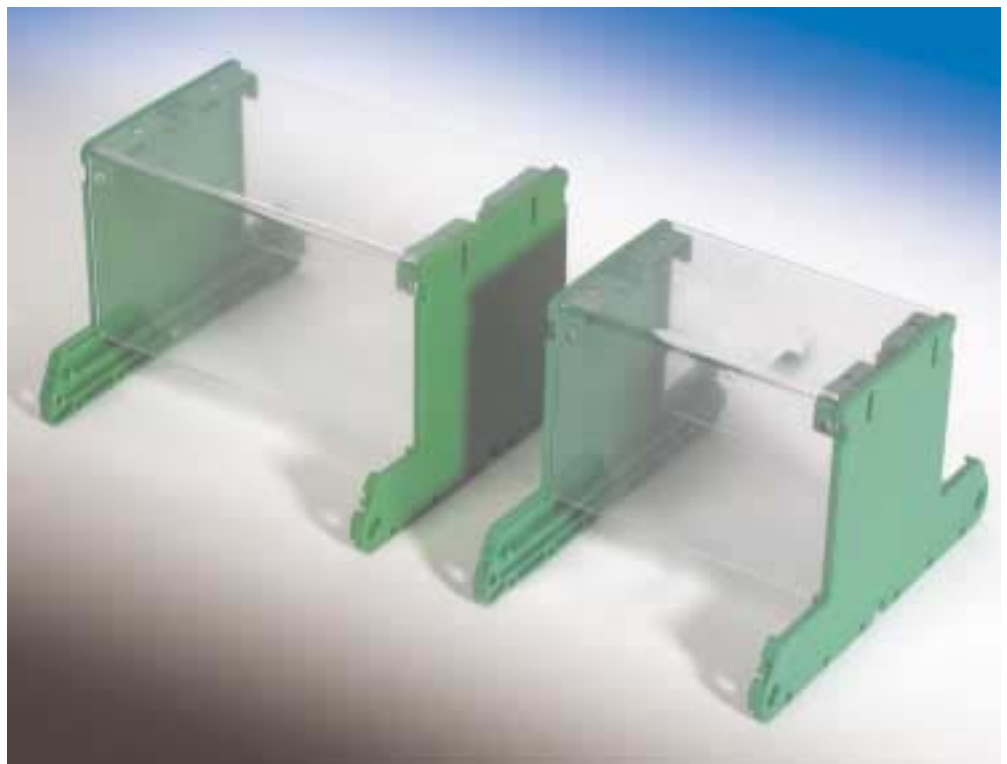
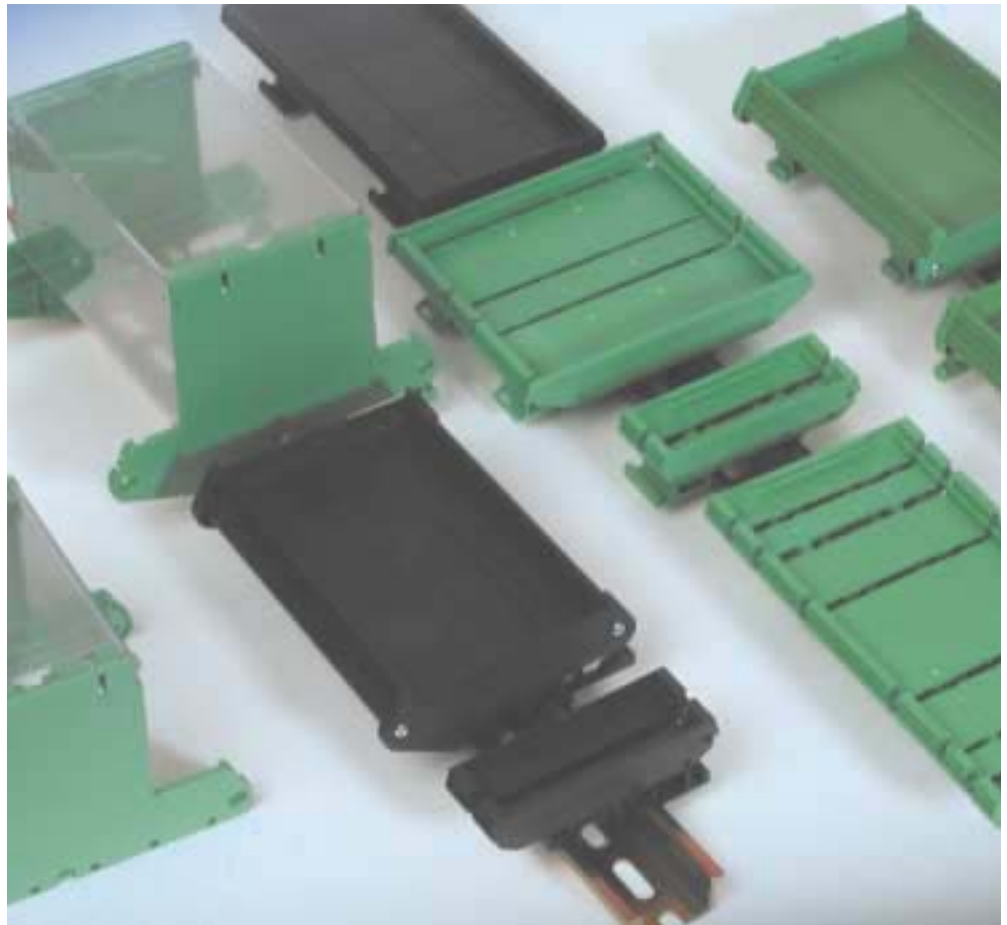
Din rail (EN 60715) mounting modular supports for PCBs.

**material:** Self-extinguishing Polyamide UL 94V-0  
Self-extinguishing PVC UL 94V-0 (extruded version)  
**colour:** Green / Black

## FEATURES

The Support range was designed to obtain a simple and quick system to mount electronic equipment onto DIN Rails (EN 60715). ITALTRONIC offers the modular version (M) obtaining different sizes by assembling several standard elements and the extruded version (E) obtained by a self-extinguishing PVC profile, cut to the desired size and closed by lateral side elements.

The modular system accommodates different PCB sizes according to the composition of single modular elements while the extruded profile allows a better rigidity of the support when cut in longer sizes. Other characteristics: the possibility to mark supports by inserting labels into the external grooves, the availability of protection covers in series E, the possibility to use PCB terminals in the same colour of the supports and upon request, a pre-assembled kit may be supplied to help the customer in the production phase.



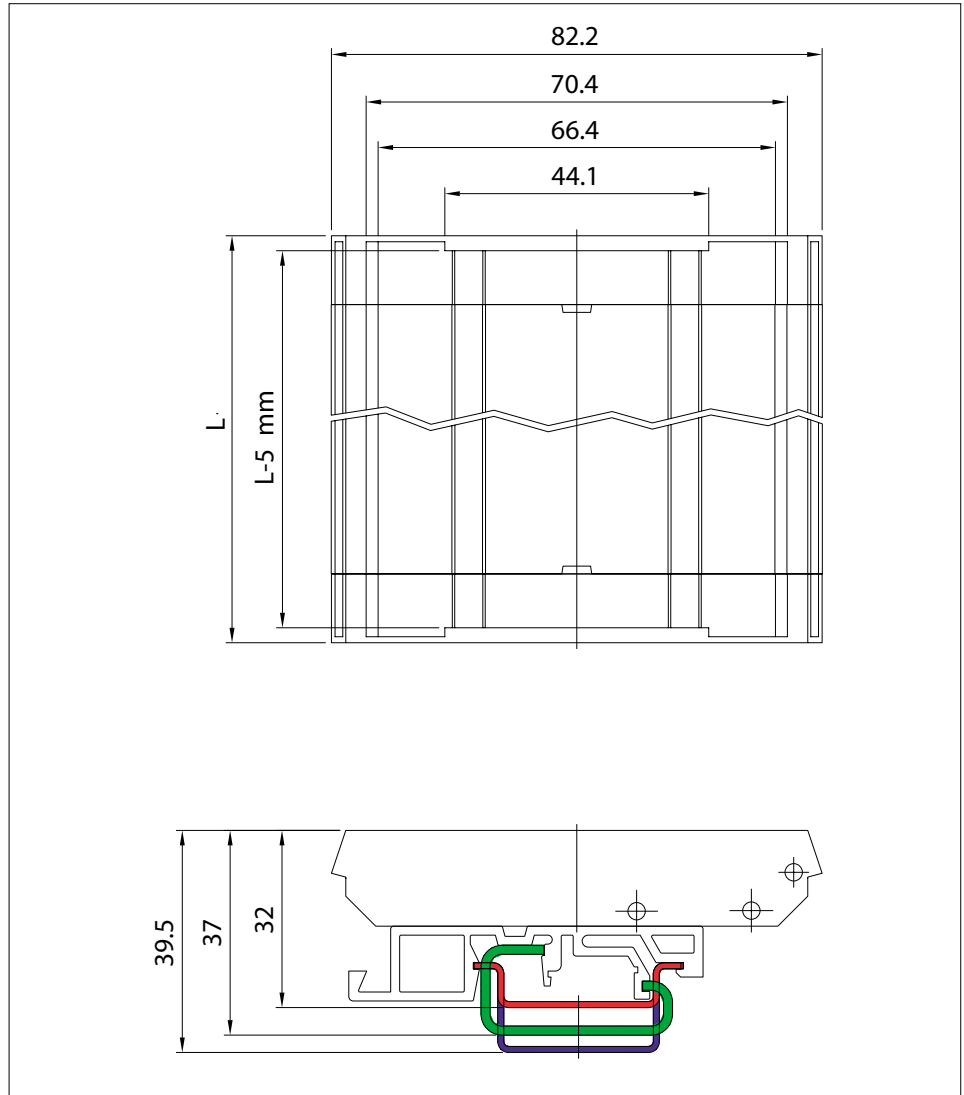
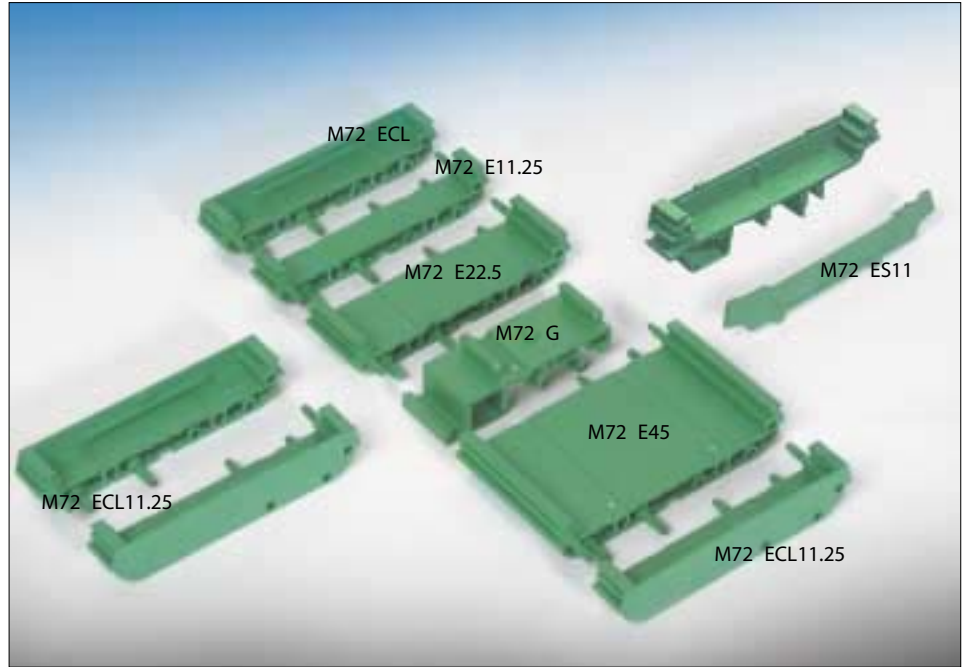
## MODULAR SUPPORT

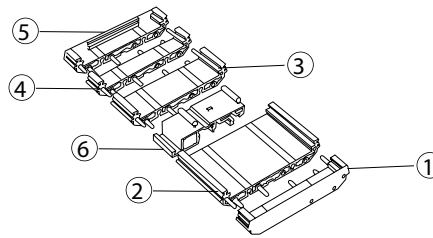
DIN rail (EN 60715) mounting modular supports for PCBs.

material: Self-extinguishing Polyamide UL 94V-0  
 colour: Green

### FEATURES

M72 modular supports are used when it is necessary to mount the electronic equipments on a DIN Rail. It is possible to obtain different lengths according to the customers' needs by fitting the modular parts together. The hook can be used either for DIN (EN 60715) rails. Note: terminals in the same colour of the supports are available.

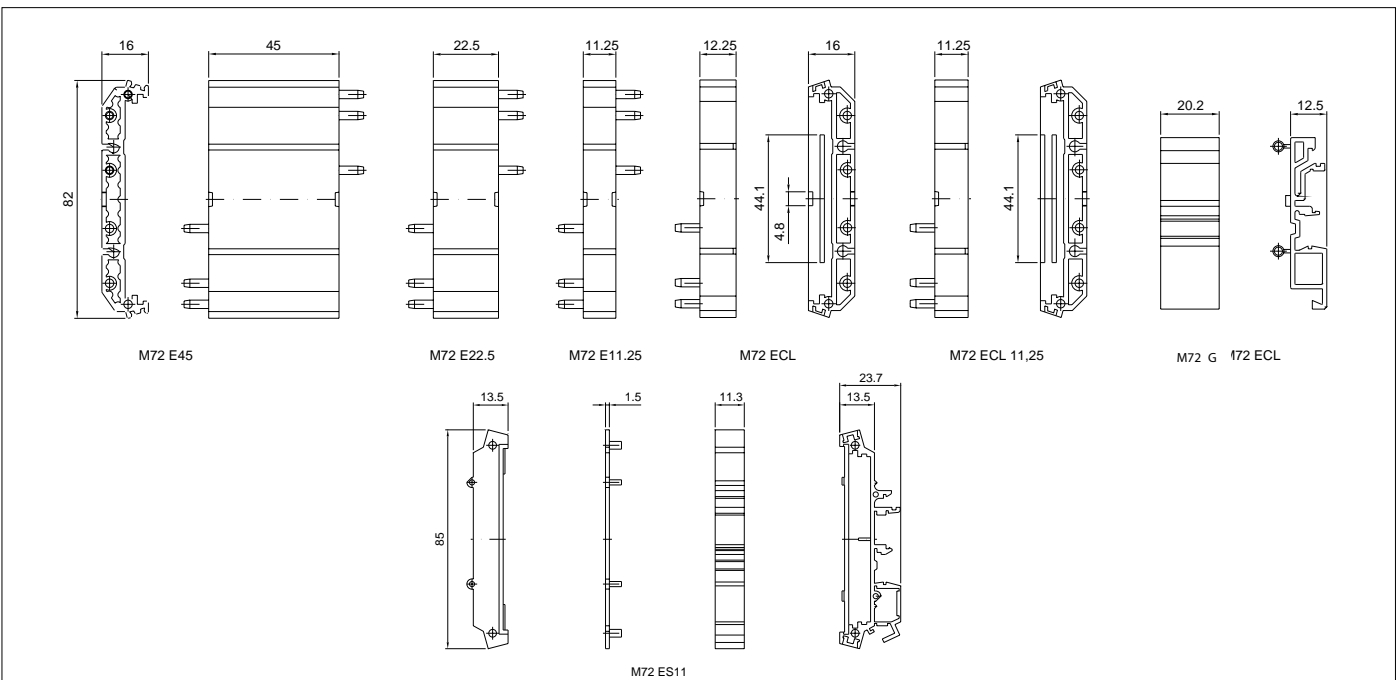




- Description :
- 1) Side element
  - 2) Base element
  - 3) Base element
  - 4) Base element
  - 5) Side element
  - 6) Hook

## Complete Support

CODE	DESCRIPTION
07.607 0000	Complete module M72 ES 11
07.601 0000	Side element M72 ECL
07.602 0000	Base element M72 E11,25
07.604 0000	Base element M72 E22,5
07.603 0000	Base element M72 E45
07.600 0000	Fastening hook M72 G
07.608 0000	Side element M72 ECL 11,25



Printed circuit board	Module	M72 ES11	M72 ECL	M72 E11,25	M72 E22,5	M72 E45	M72 G
11,0x72x1,6	12,5	1	-	-	-	-	-
20,5x72x1,6	22,5	-	2	-	-	-	1
31,25x72x1,6	33,75	-	2	1	-	-	1
42,5x72x1,6	45,0	-	2	-	1	-	2
53,75x72x1,6	56,25	-	2	1	1	-	2
65,0x72x1,6	67,5	-	2	-	-	1	2
76,25x72x1,6	78,75	-	2	1	-	1	2
87,5x72x1,6	90,0	-	2	-	1	1	2
98,5x72x1,6	101,25	-	2	1	1	1	2
110,0x72x1,6	112,5	-	2	-	-	1	2
121,25x72x1,6	123,75	-	2	1	-	1	2
132,50x72x1,6	135,00	-	2	-	1	2	2
143,75x72x1,6	146,25	-	2	1	1	2	3
155,00x72x1,6	157,50	-	2	-	-	3	3
166,25x72x1,6	168,75	-	2	1	-	3	3
177,50x72x1,6	180,00	-	2	-	1	3	3

For the choice of the terminals see TERMINAL section

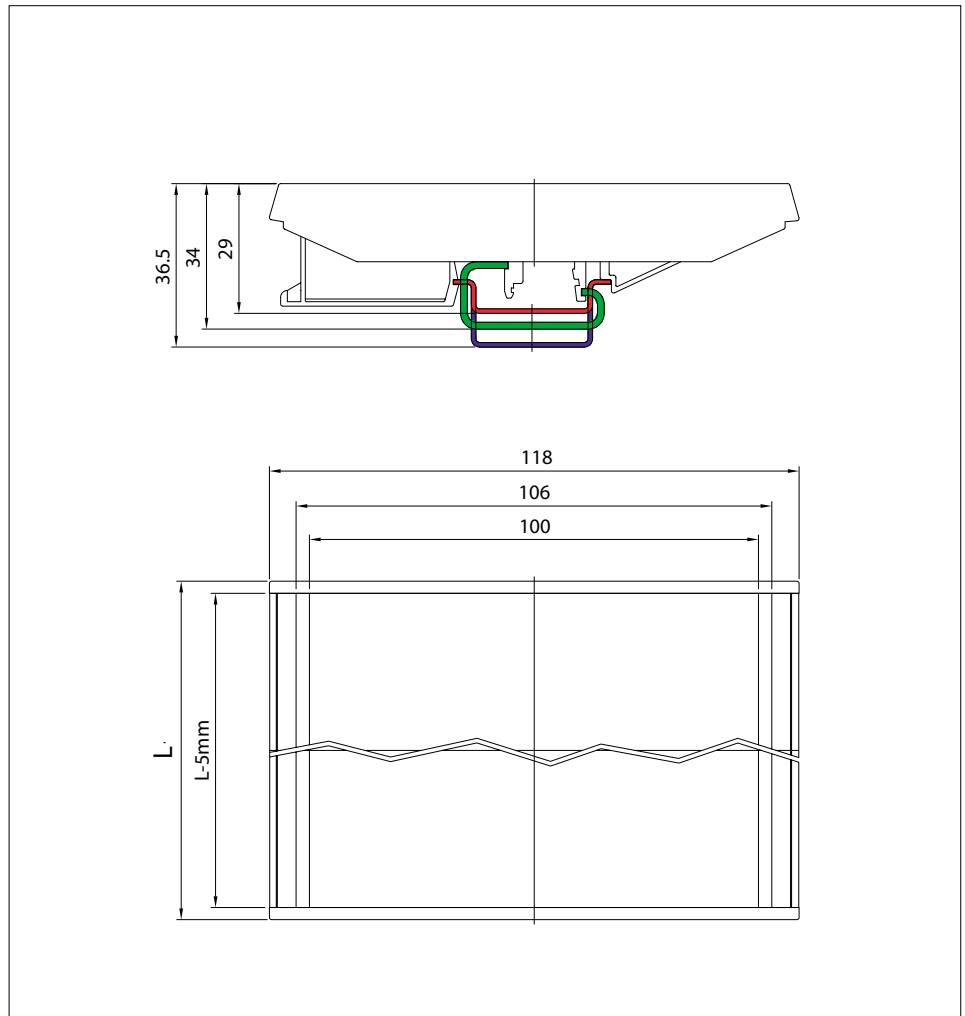
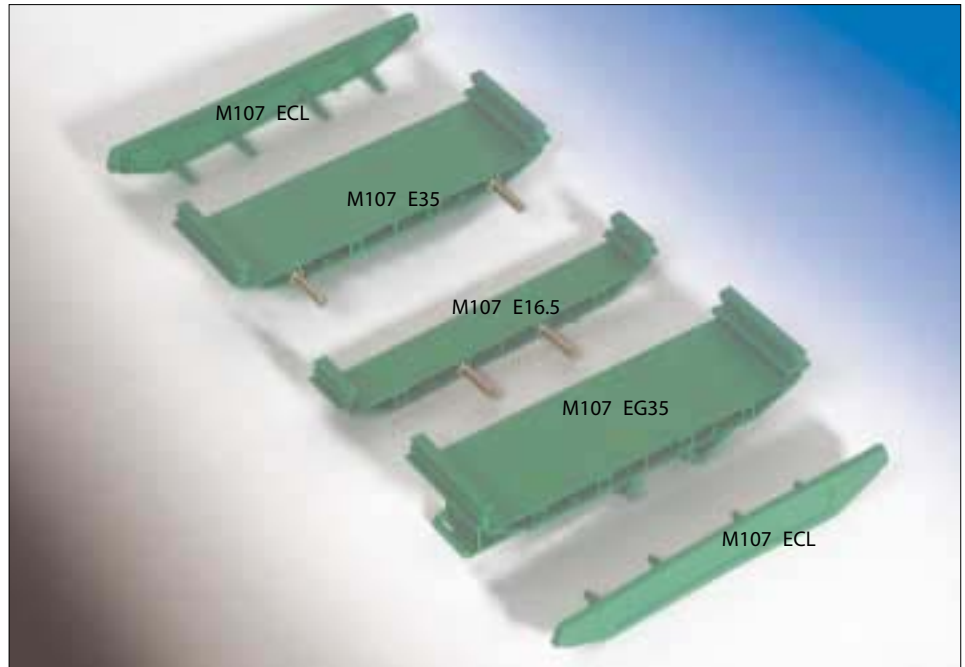
## MODULAR SUPPORT

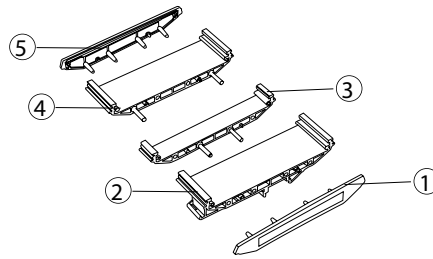
DIN rail (EN 60715) mounting modular supports for PCBs.

material: Self-extinguishing Polyamide 6.6 UL 94V-0  
 colour: Green

### FEATURES

M107 modular supports are used when it is necessary to mount the electronic equipments on a DIN Rail. It is possible to obtain different lengths according to the customers' needs by fitting the modular parts together. The hook can be used either for DIN EN 50022 or DIN (EN 60715) rails. Note: terminals in the same colour of the supports are available.

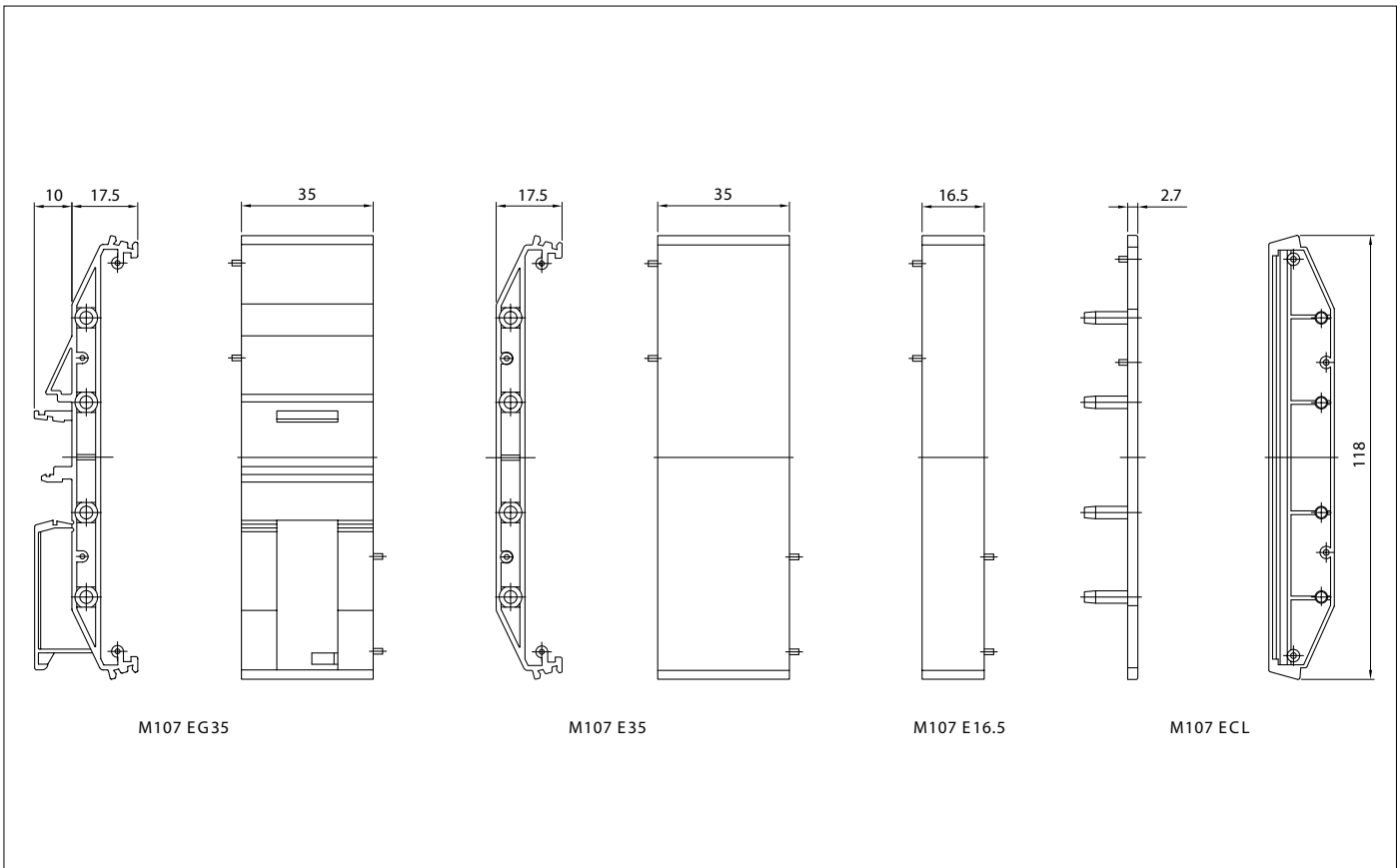




- Description :
- 1) Side Element
  - 2) Base element with hook
  - 3) Base element
  - 4) Base element
  - 5) Side element

## Complete Support

CODE	DESCRIPTION
07.610 0000	Side element M107 ECL
07.611 0000	Base element with hook M107 EG 35
07.612 0000	Base element M107 E 35
07.613 0000	Base element M107 E 16,5
07.614 0000	Hardening element M107 EP



Printed circuit board	Module	M107 EG35	M107 E35	M107 E16,5	M107 ECL
38,5x107,5x1,6	40	1	-	-	2
55,0x107,5x1,6	56,5	1	-	1	2
73,5x107,5x1,6	75	2	-	-	2
90,0x107,5x1,6	91,5	2	-	1	2
108,5x107,5x1,6	110	2	1	-	2
125,0x107,5x1,6	126,5	2	1	1	2
143,5x107,5x1,6	145	2	2	-	2
160,0x107,5x1,6	161,5	2	2	1	2
178,5x107,5x1,6	180	3	2	-	2

## PROFILE SUPPORT

DIN rail (EN 60715) mounting modular supports for PCBs.

**material:** Self-extinguishing PVC UL 94V-0 (profile support)  
Self-extinguishing Polyamide 6.6 UL 94V-0 (lateral elements)

**colour:** Green / Black / Grey



### FEATURES

E72 profile supports are used when it is necessary to mount the electronic equipments on a DIN Rail.

It is composed of a self-extinguishing PVC profile, lateral side elements and a hook.

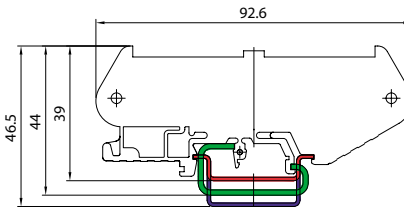
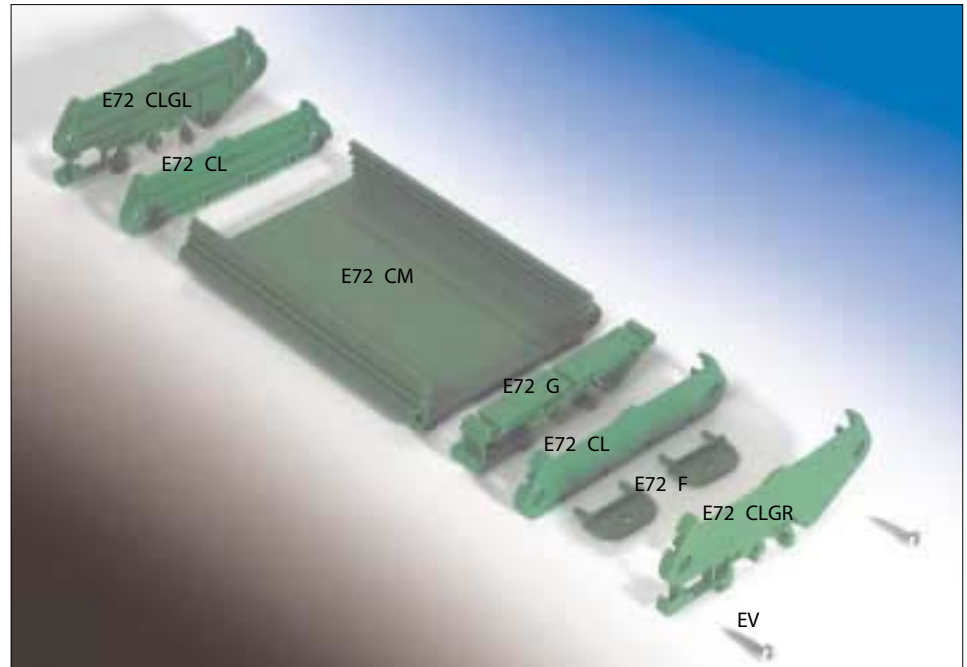
It can be supplied either in a 2 metres long profile or it can be cut in various dimensions (minimum size: 50 mm).

With a simple accessory, (EF), it is possible to mount the profile directly on the wall instead of mounting it to the DIN (EN 60715) rails.

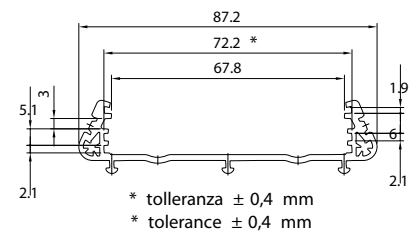
Note: terminals in the same colour of the supports are available.

Minimum length 30 mm

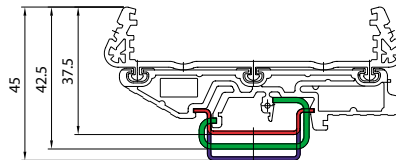
Maximum length 350 mm



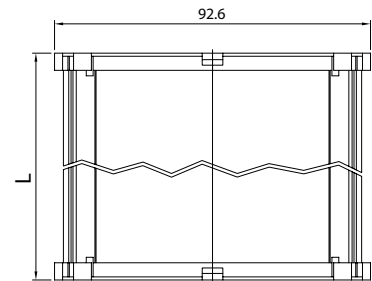
lateral closure with hook E72 CLGL



profile support section E72MT2 (E72CM)

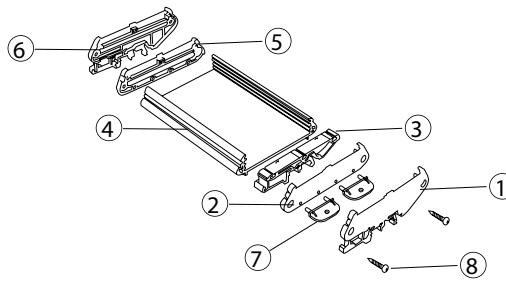


profile support E72MT2 (E72CM)  
with hook E72G



profile support top view (E72CM)

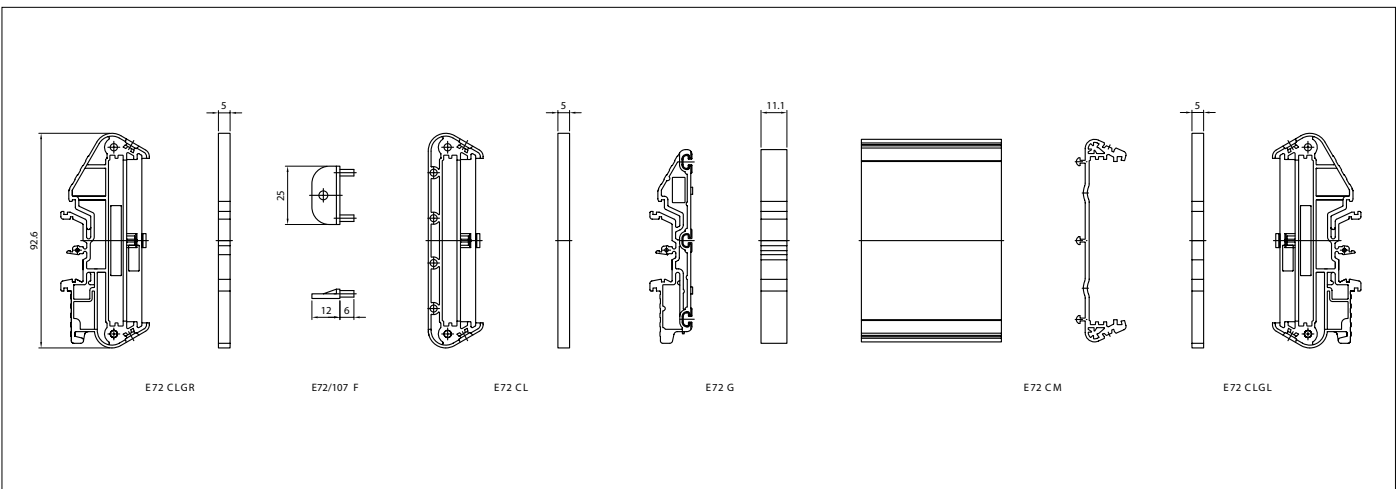
L: E72 profile length (P.C.B. dimension - 3,5 mm)



- Description :
- 1) Lateral side element with right hook
  - 2) Base element
  - 3) Hook
  - 4) Profile
  - 5) Side element
  - 6) Lateral side element with left hook
  - 7) Fixing for wall mounting
  - 8) Profile screw

## Complete Enclosure

CODE	DESCRIPTION	TYPE
07.630 0000	Profile for pcb 72 mm x 2 m	E72MT2
07.631 0000	Profile cut to size	E72CM
07.632 0000	Lateral side element with left hook	E72CLGL
07.633 0000	Lateral side element with right hook	E72CLGR
07.634 0000	Hook for DIN rail	E72G
07.635 0000	Lateral element	E72CL
07.636 0000	Profile screw	EV
07.637 0000	Fixing accessory for wall mounting	E72F
07.638 0000	Processing for lateral side assembling	E72M
07.639 0000	Adapter accessory for PCB of 68 mm	E72A68
07.631 0727	Profile cut to size 72,75 mm	E72L 72.75
07.631 0952	Profile cut to size 95,25 mm	E72L 95.25
07.631 1065	Profile cut to size 106,5 mm	E72L 106.5
07.631 1177	Profile cut to size 117,75 mm	E72L 117.75
07.631 1290	Profile cut to size 129 mm	E72L 129
07.631 1402	Profile cut to size 140,25 mm	E72L 140.25



Printed circuit board	Module	E72CM	E72CL	E72CLGL	E72CLGR	E72G	EV
53,75x72x1,6	56,25	50,25	2	(1)	(1)	2	4
65,0x72x1,6	67,5	61,5	2	(1)	(1)	2	4
76,25x72x1,6	78,75	72,75	2	(1)	(1)	2(1)	4
87,5x72x1,6	90,0	84	2	(1)	(1)	2(1)	4
98,75x72x1,6	101,25	95,25	2	(1)	(1)	2(1)	4
110,0x72x1,6	112,5	106,5	2	(1)	(1)	2(1)	4
121,25x72x1,6	123,75	117,75	2	(1)	(1)	2(1)	4
132,5x72x1,6	135	129,2	2	(1)	(1)	2(1)	4
143,75x72x1,6	146,25	140,25	2	(1)	(1)	3(1)	4
155,0x72x1,6	157,5	151,58	2	(1)	(1)	3(1)	4
166,25x72x1,6	168,75	162,75	2	(1)	(1)	3(1)	4
177,50x72x1,6	180	174	2	(1)	(1)	3(1)	4

## PROFILE SUPPORT

DIN rail (EN 60715) mounting modular supports for PCBs.

- material:** Self-extinguishing PVC (profile support) UL94V0  
Self-extinguishing Polyamide 6.6 UL 94V-0 (lateral elements)  
Self-extinguishing PVC (protection cover)
- colour:** Green / Black



### FEATURES

E107 profile supports are used when it is necessary to mount the electronic equipments on a DIN Rail.

It is composed of a self-extinguishing PVC profile, lateral side elements and a hook.

It can be supplied either in a 2 metres long profile or it can be cut in various dimensions (minimum size: 50 mm).

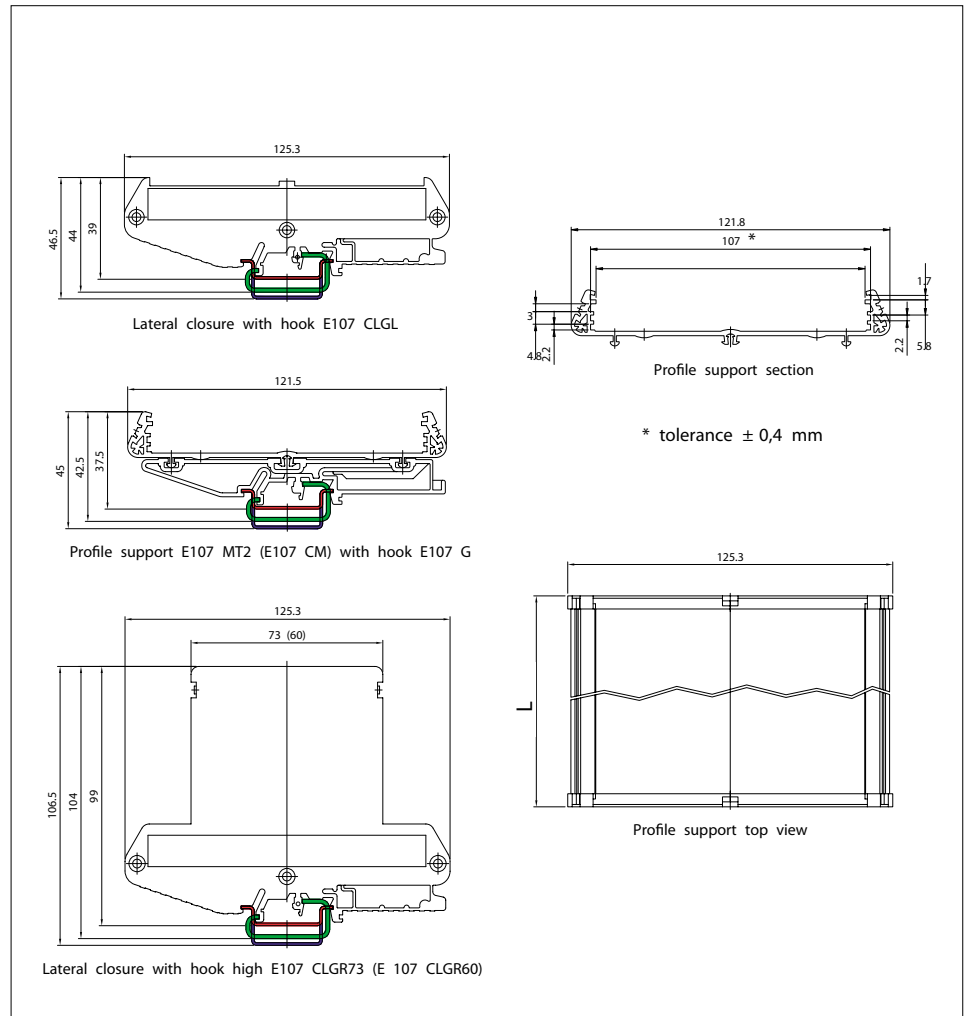
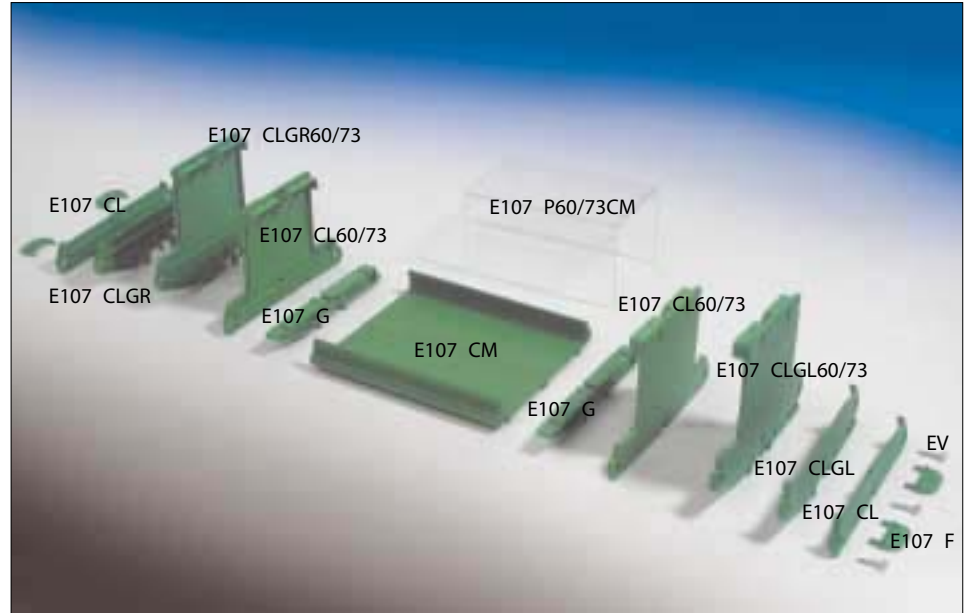
With a simple accessory, (EF), it is possible to mount the profile directly on the wall instead of mounting it to the DIN (EN 60715) rails.

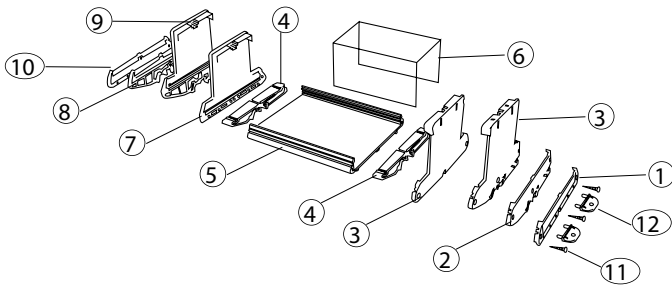
Protection covers are available according to the profile supports dimensions.

Note: terminals in the same colour of the supports are available.

Minimum length 30 mm

Maximum length 350 mm





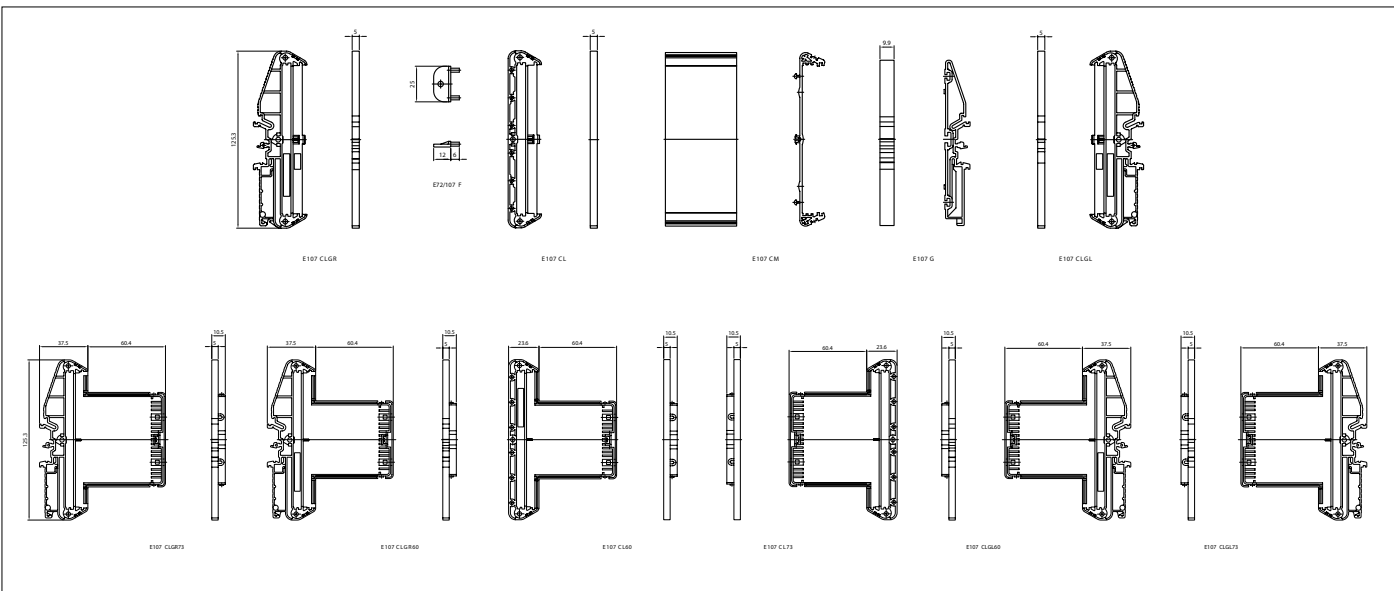
**Description :**

- 1) Side element
- 2) Lateral side element with left hook
- 3) High lateral closure
- 4) Hook
- 5) Profile
- 6) Protection
- 7) Side element
- 8) Lateral side element with right hook
- 9) High lateral closure
- 10) Side element
- 11) Profile screw
- 12) Fixing for wall mounting

## Complete Enclosure

CODE	DESCRIPTION	TYPE	
07.640 0000	Profile for pcb 107 mm x 2 mt.	E107MT2	
07.641 0000	Profile cut to size	E107CM	
07.642 0000	Lateral closure with left hook	E107CLGL	
07.643 0000	Lateral closure with right hook	E107CLGR	
07.644 0000	Hook for DIN rail	E107G	
07.645 0000	Lateral closure	E107CL	
07.636 0000	Profile screw and protection cover screw	EV	
07.637 0000	Accessory for wall mounting	E107F	
07.648 0000	Processing lateral side assembling	E107M	
07.649 0000	High lateral clos. with left hook for protec. cover 60 mm	E107CLGL60	
07.650 0000	High lateral clos. with left hook for protec. cover 73 mm	E107CLGL73	
07.651 0000	High lateral clos. with right hook for protec. cover 60 mm	E107CLGR60	
07.652 0000	High lateral clos. with right hook for protec. cover 73 mm	E107CLGR73	
07.654 0000	High lateral clos. for protec. cover 60 mm	E107CL60	
07.653 0000	High lateral clos. for protec. cover 73 mm	E107CL73	
07.657 0000	Adaptor acces. for pbc of 100 mm	E107A 100	
07.656 0000	Cut-to-size protec. cover in PVC 60 mm	*	E107P60CM
07.655 0000	Cut-to-size protec. cover in PVC 73 mm	*	E107P73CM
<b>CODE</b>	<b>Profile std size</b>		
07.641 1050	For pcb 108,5 mm	E107L105	
07.641 1165	For pcb 120,0 mm	E107L116,5M	
07.641 1565	For pcb 160,0 mm	E107L156,5M	
07.641 1750	For pcb 178,5 mm	E107L175M	
07.641 1915	For pcb 195,0 mm	E107L191,5	
07.641 2100	For pcb 213,5 mm	E107L210	
07.641 2265	For pcb 230,0 mm	E107L226,5	
07.641 2800	For pcb 283,5 mm	E107L280	

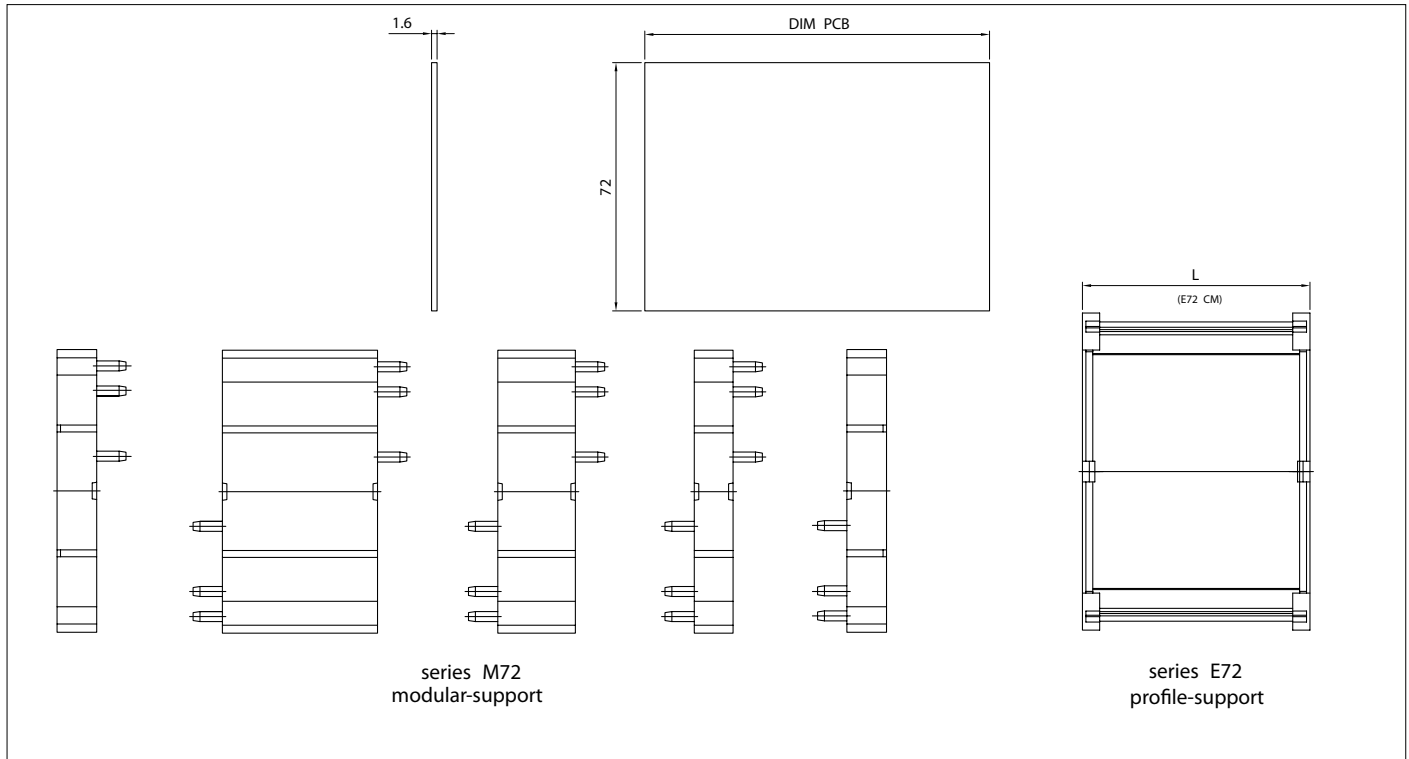
Note: The cut to size E107 profile support can be supplied in the requested dimension ordering code n. 07.641 0000 followed by the requested length (i.e. for the pcb: 128,5x107x1,6mm, the length of the profile can be obtained deducing 3,5 mm from the dimension of the pcb: 128,5mm-3,5mm = 12,5 cm therefore E107M CM, code 07.0641 0000, L=12,5cm



\*Note: The protection cover has to be ordered bearing the same dimensions of the profile and using the same procedure (i.e. protection cover E107PCM, code 07.656 0000 L. 12,5 cm). The screw to fix the protection cover are the same screws used for the profile EV. The profile cut to standard size is offered as it maintains its compatibility with M107 series therefore it is possible to use, choosing the pcb correct dimensions, either E107 support or M107 support.

# SUPPORT

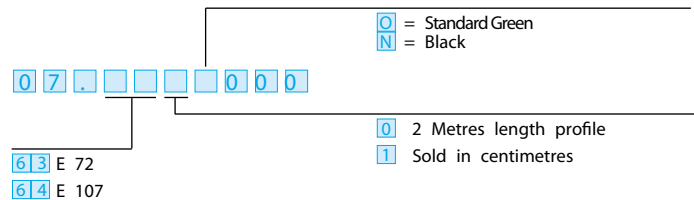
Equivalence schedule between M72 - E72 series.



DIMENSIONS		M72 SERIES COMPOSITION						E72 SERIES COMPOSITION					
P.C.B.	MOD.	M72ES11	M72ECL	M72E11,25	M72E22,5	M72E45	M72G	E72CM *	E72CL	E72CLGL	E72CLGR	E72G	EV
11.00	12.50	1	-	-	-	-	-	-	-	-	-	-	-
20.50	22.50	-	2	-	-	-	1	16,5	2	-	-	-	-
31.25	33.75	-	2	1	-	-	1	27,75	-	1	1	-	4
42.50	45	-	2	-	1	-	2	39	-	1	1	-	4
53.75	56.25	-	2	1	1	-	2	50,25	-	1	1	-	4
65.00	67.5	-	2	-	-	1	2	61,5	-	1	1	-	4
76.25	78.75	-	2	1	-	1	2	72,75	2	(1)	(1)	2(1)	4
87.50	90	-	2	-	1	1	2	84	2	(1)	(1)	2(1)	4
98.75	101.25	-	2	1	1	1	2	95,25	2	(1)	(1)	2(1)	4
110.00	112.5	-	2	-	-	-	2	106,5	2	(1)	(1)	2(1)	4
121.25	123.75	-	2	1	-	-	2	117,75	2	(1)	(1)	2(1)	4
132.50	135	-	2	-	1	1	2	129	2	(1)	(1)	2(1)	4
143.75	146.25	-	2	-	-	-	3	140,25	2	(1)	(1)	2(1)	4
155.00	157.5	-	2	-	-	-	3	151,5	2	(1)	(1)	2(1)	4
166.25	168.75	-	2	1	-	-	3	162,75	2	(1)	(1)	2(1)	4
177.50	180	-	2	-	1	1	3	174	2	(1)	(1)	2(1)	4

## HOW TO ORDER

Note: standard green colour





## SUPPORT

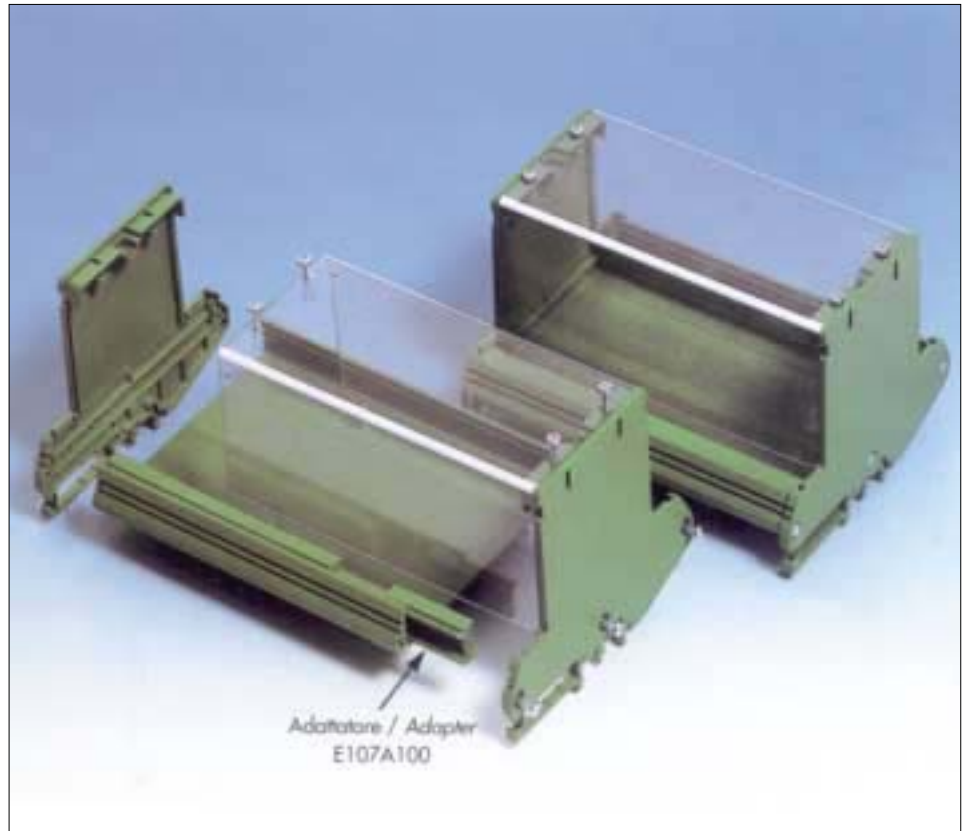
Protection cover

### FEATURES

In the E107 version it is possible to protect the PCB with a cover.

This protection cover is generally transparent and is mounted on the support by the use of particular lateral sides through screws.

The protection covers can be 60 mm width and 73 mm width.

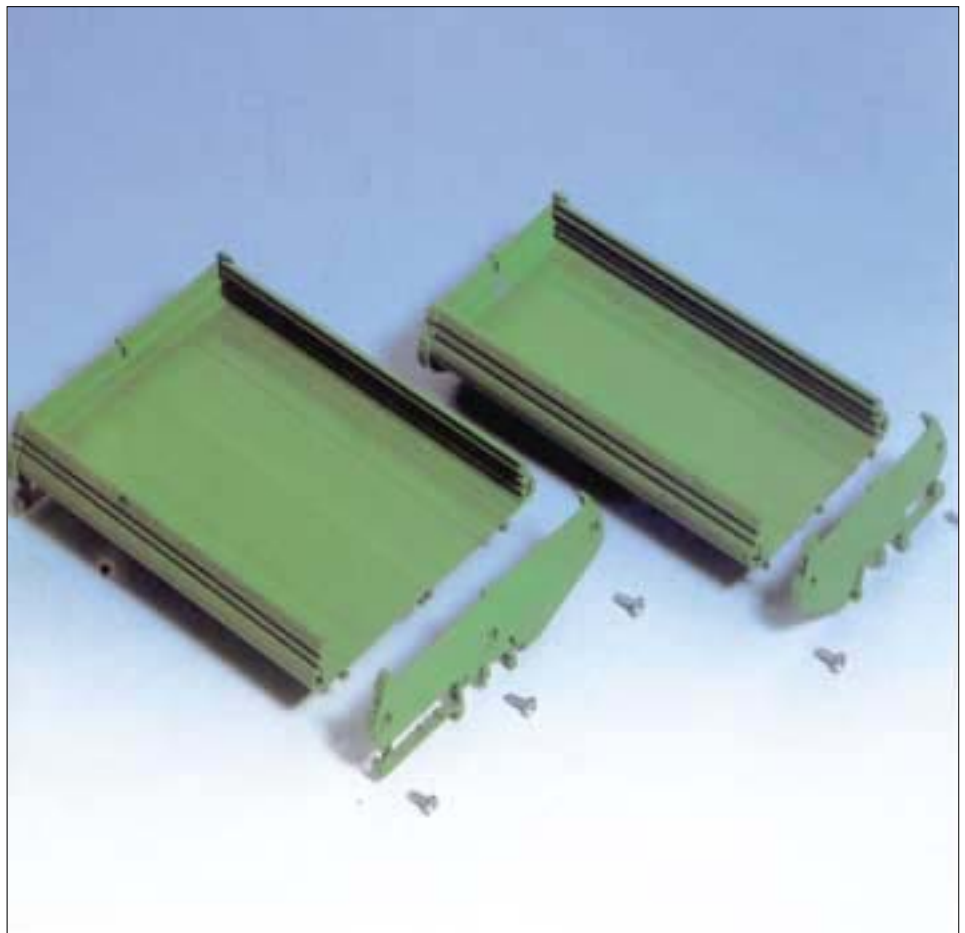


## SUPPORT

Assembled cut to size profiles

### FEATURES

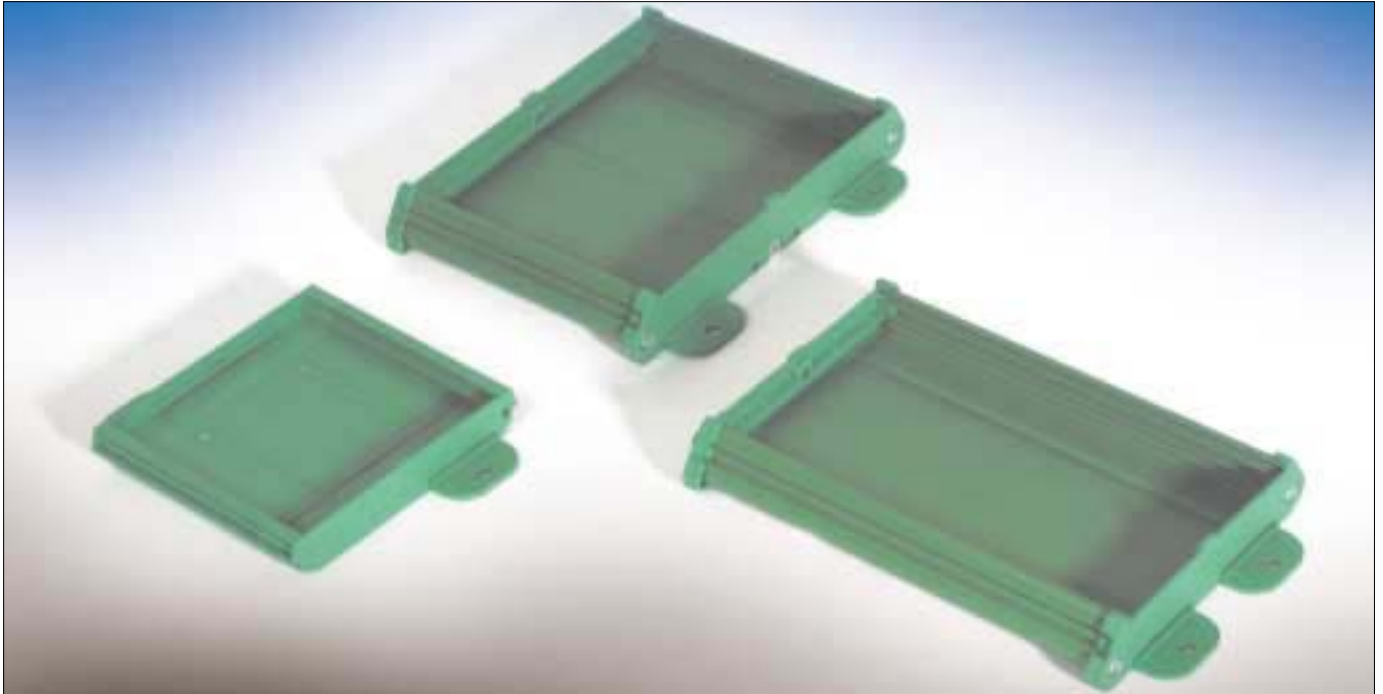
ITALTRONIC supplies, upon request, preassembled kits to help customers in the assembling. In fact, using special automatic machines, Italtronic can offer the series "E" profile with a lateral ending side already assembled with two screws. This processing (assembling) has its own code (see series "E" in our catalogue).



## SUPPORT

### Wall mounting system

On both versions, E72 and E107, it is possible to transform the DIN rail product into a wall mounting product. It is enough to disassemble the lateral end closures with hook and substitute them with the lateral end closures without hook. If there is even the fixing hook, it is necessary to take it out and add the wall mounting components (E72/107F) according to the product typology.



## SUPPORT

### Colors



Special colours. For high quantities, it is possible to offer the customer products in special colours. Such solution allows the final customer to have different products from the competitors.

## SUPPORT

### Personalized mark



It is possible to print a personalized mark on the lateral end closures. The relative cost is extremely contained but it is required a minimum number of products to justify the machinery equipment.